

- LEGEND:**
- INDICATES MONUMENT FOUND AS NOTED
  - ⊙ INDICATES 5/8" x 36" IRON REBAR WITH YELLOW PLASTIC CAP INSCRIBED "BROWN 48747" SET UNLESS OTHERWISE NOTED
  - INDICATES CALCULATED POSITION ONLY NOT SET
- (SR 1) INDICATES RECORD INFORMATION PER SURVEY REFERENCE NUMBER

INDICATES LINE MARKED WITH 1/2" x 72" FIBER GLASS RODS WITH RED AND WHITE RIBBON. TREES ALONG LINE PAINTED AND BLAZED WITH BLUE PAINT.

\*A\* INDICATES SET CORNER SEE SET MONUMENTS FOR DESCRIPTION.

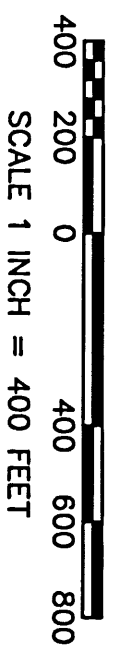
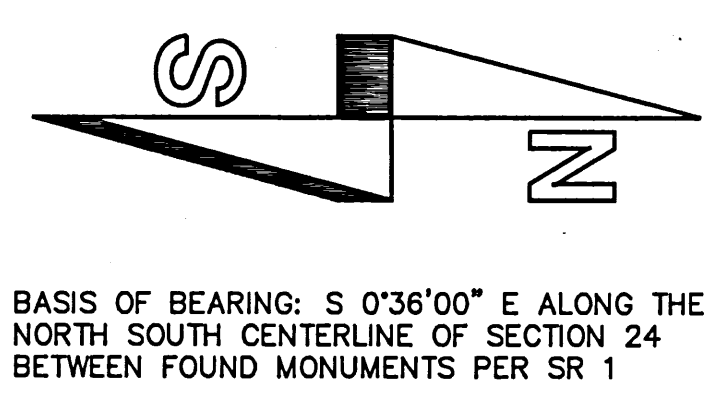
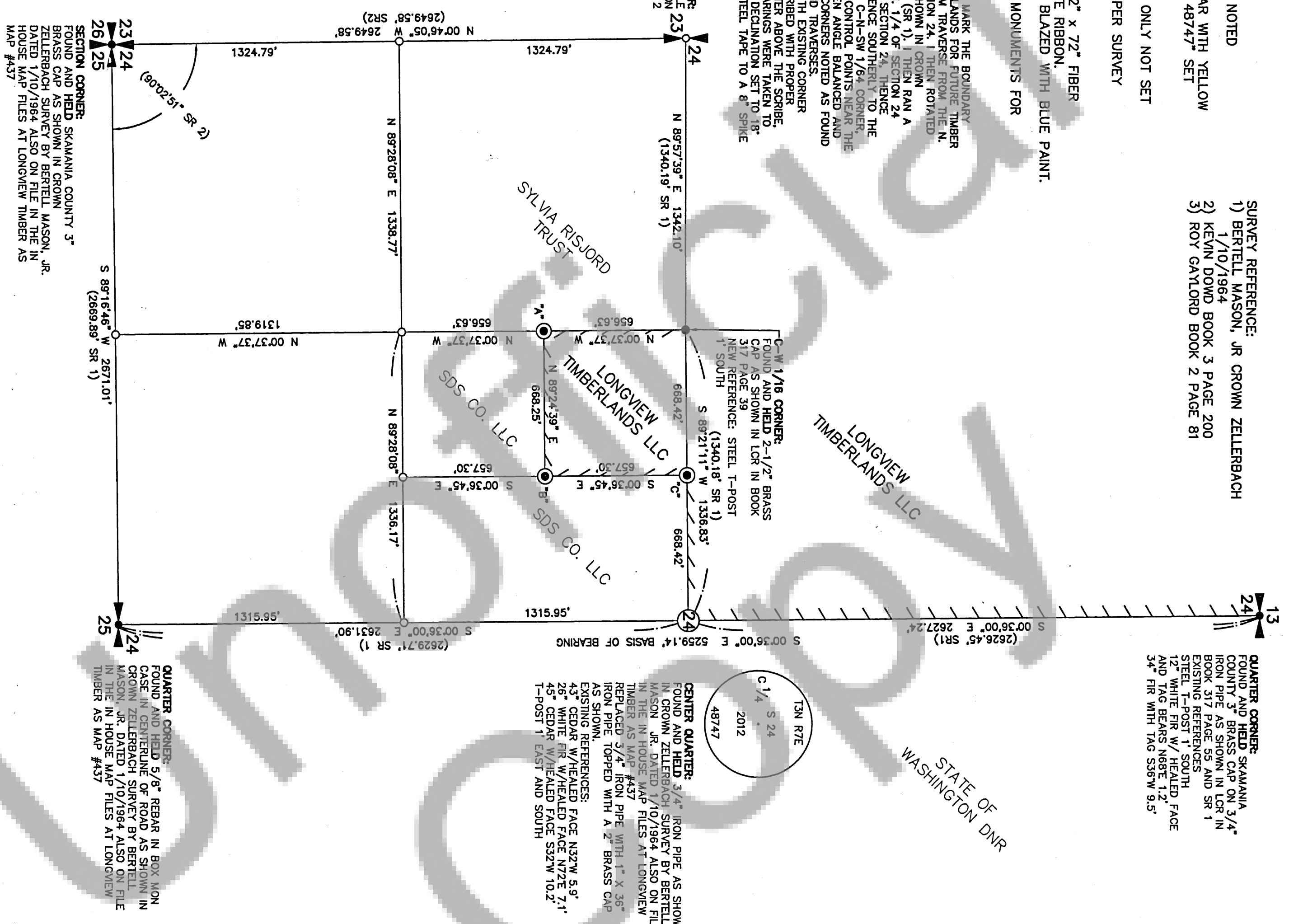
**NARRATIVE:**  
 THE PURPOSE OF THIS SURVEY WAS TO MARK THE BOUNDARY LINES SHOWN HEREON FOR LONGVIEW TIMBERLANDS FOR FUTURE TIMBER HARVEST. FOR THIS SURVEY I RAN A RANDOM TRAVERSE FROM THE N. 1/4 OF SECTION 24 TO THE S. 1/4 OF SECTION 24, I THEN ROTATED THIS TRAVERSE TO THE RECORD BEARINGS SHOWN IN CROWN ZELLERBACH SURVEY BY BERTIELL MASON, JR. (SR 1). THEN RAN A CLOSED LOOP TRAVERSE STARTING AT THE N. 1/4 OF SECTION 24 WESTERLY TO THE CENTER 1/4 OF SECTION 24, THENCE SOUTHERLY TO THE C-E-W 1/64 CORNER, THENCE SOUTHERLY TO THE NE-SW 1/64 CORNER, THENCE WESTERLY TO C-N-SW 1/64 CORNER, THENCE NORTHERLY TO AN EXISTING PAIR OF CONTROL POINTS NEAR THE C-W 1/16 CORNER. SAID TRAVERSE WAS THEN ANGLE BALANCED AND ADJUSTED BY COMPASS RULE METHOD. ALL CORNERS NOTED AS FOUND AND SET WERE DONE SO RADICALLY FROM SAID TRAVERSES. EXISTING REFERENCES WERE VERIFIED WITH EXISTING CORNER RECOVERY NOTES. NEW REFERENCES ARE SCRIBED WITH PROPER CORNER DESIGNATION WITH A LOCATION POSTER ABOVE THE SCRIBE. ALL ORIENTED TOWARDS THE MONUMENT. BEARINGS WERE TAKEN TO THE TREE WITH A HAND COMPASS WITH THE DECLINATION SET TO 18° EAST. DISTANCES WERE MEASURED WITH A STEEL TAPE TO A 8" SPIKE AT SIDE CENTER OF THE TREE.

- SURVEY REFERENCE:**
- 1) BERTIELL MASON, JR CROWN ZELLERBACH 1/10/1964
  - 2) KEVIN DOWD BOOK 3 PAGE 200
  - 3) ROY GAYLORD BOOK 2 PAGE 81

**QUARTER CORNER:**  
 FOUND AND HELD SKAMANIA COUNTY 3/4" IRON PIPE AS SHOWN IN LCR IN BOOK 317 PAGE 55 AND SR 1 EXISTING REFERENCES:  
 12" WHITE FIR W/ HEALED FACE AND TAG BEARS N88E 1.2° 34" FIR WITH TAG S36W 9.5°

**CENTER QUARTER:**  
 FOUND AND HELD 3/4" IRON PIPE AS SHOWN IN CROWN ZELLERBACH SURVEY BY BERTIELL MASON, JR. DATED 1/10/1964 ALSO ON FILE IN THE IN HOUSE MAP FILES AT LONGVIEW TIMBER AS MAP #437  
 REPLACED 3/4" IRON PIPE WITH 1" X 36" IRON PIPE TOPPED WITH A 2" BRASS CAP AS SHOWN.  
 EXISTING REFERENCES:  
 43" CEDAR W/HEALED FACE N32W 5.9° 26" WHITE FIR W/HEALED FACE N72E 7.1° 45" CEDAR W/HEALED FACE S32W 10.2° T-POST 1" EAST AND SOUTH

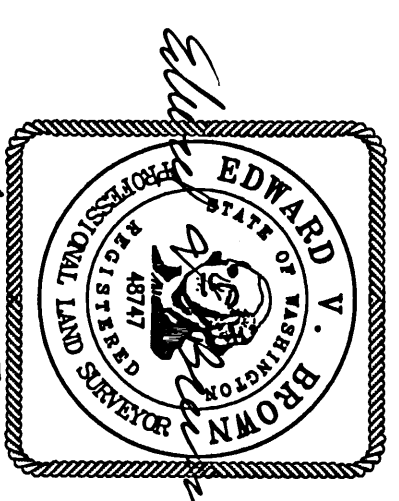
- SET MONUMENTS:**
- \*A\* C1-SW 1/64 CORNER  
 SET 3/8" IRON ROD W/ORANGE PLASTIC CAP INSCRIBED "BROWN 48747" WITH THE FOLLOWING NEW REFERENCES:  
 28" FIR N30W 13.85°  
 21" FIR S37W 5.45°  
 T-POST N. 1.0°
  - \*B\* NE-SW 1/64 CORNER  
 SET 5/8" IRON ROD W/ORANGE PLASTIC CAP INSCRIBED "BROWN 48747" WITH THE FOLLOWING NEW REFERENCES:  
 28" FIR N30W 13.85°  
 21" FIR S37W 5.45°  
 T-POST N. 1.0°
  - \*C\* C-E-W 1/64 CORNER  
 SET 5/8" IRON ROD W/ORANGE PLASTIC CAP INSCRIBED "BROWN 48747" WITH THE FOLLOWING NEW REFERENCES:  
 18" FIR N17E 23.4°  
 25" TRUE FIR S23E 24.45°  
 T-POST E. 1.0°



**DEED REFERENCE:**  
 GRANTEE: C.E. KOCHER AND RUTH KOCHER  
 GRANTEE: LONGVIEW FIBRE COMPANY  
 AF NO. VOL. 33 PG. 350

**DEED REFERENCE:**  
 GRANTEE: CAVENHAM FOREST INDUSTRIES INC.  
 GRANTEE: LONGVIEW FIBRE COMPANY  
 AF NO. BK. 112 PG. 46

**DEED REFERENCE:**  
 GRANTEE: LONGVIEW FIBRE COMPANY  
 GRANTEE: LONGVIEW TIMBERLANDS, LLC  
 AF NO. 2008170893



**SURVEYOR'S CERTIFICATE**

THIS MAP CORRECTLY REPRESENTS A SURVEY MADE BY ME OR UNDER MY DIRECTION IN CONFORMANCE WITH THE REQUIREMENTS OF THE SURVEY RECORDING ACT AT THE REQUEST OF \_\_\_\_\_ IN \_\_\_\_\_ APRIL \_\_\_\_\_, 2012.

EDWARD V. BROWN, PROFESSIONAL LAND SURVEYOR, LS# 48747

**AUDITOR'S CERTIFICATE**

FILED FOR RECORD THIS 9th DAY OF May 2012 AT 3:20 P.M. IN BOOK \_\_\_\_\_ OF SURVEYS AT PAGE \_\_\_\_\_ AT THE REQUEST OF LONGVIEW TIMBER CORPORATION, AFN 2012180632

Heidi B. Penner  
 DEPUTY COUNTY AUDITOR

LONGVIEW TIMBER CORPORATION  
 10 INTERNATIONAL WAY  
 LONGVIEW, WA 98632

**RECORD OF SURVEY**  
 IN A PORTION OF THE  
 NE1/4 OF THE SW 1/4 AND  
 THE NW 1/4 OF SECTION 24  
 T. 3 N., R. 7 E., W. M.  
 SKAMANIA COUNTY, WASHINGTON  
 APRIL 26, 2012